

Standard Features:

- 3/16" holes on 1/4" staggered centers
- Extruded aluminum frame with signature line marks
- Perforated material 58% free area
- Square collar designed for 22" x 22" duct
- Rust resistant pre-coat with durable powder finish
- Soft White

Options:

- Recessed screwdriver operated Opposed Blade Damper (600PT-0)
- Preformed, contour molded fiberglass back with a foil barrier backing (600F-PT)
- 2" ADC compliant round collar with bead for ease of installation
- 1 x 1 T-Bar (10" x 10" duct)
- 1 x 2 T-Bar (10" x 22" duct)
- 2 x 4 T-Bar (22" x 46" duct)

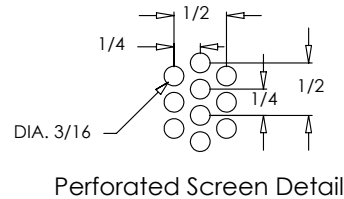
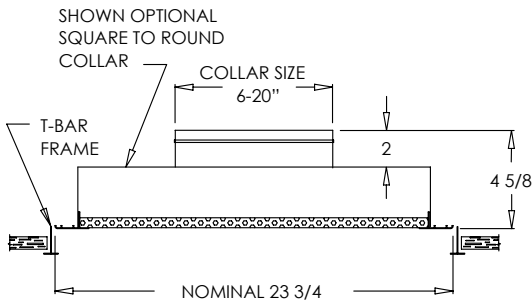
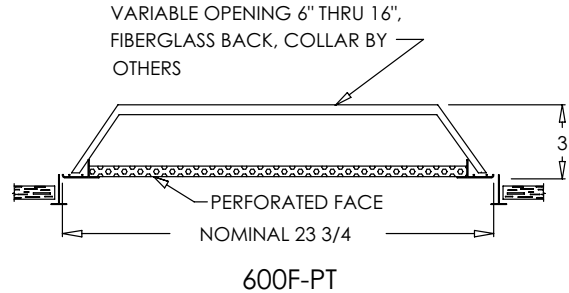
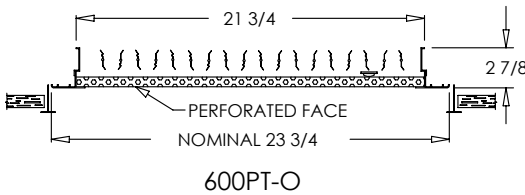
Finishes:

STANDARD COLORS

- Soft White
- Driftwood Tan

DESIGNER COLORS

- Black
- Bronze
- Storm Gray
- Cement Gray
- Aluminum Paint
- Coffee Tan
- Warm White
- Glossy White



Additional Information:

Submittal Notes

Project / Location:	
Engineer:	
Architect:	
Contractor:	